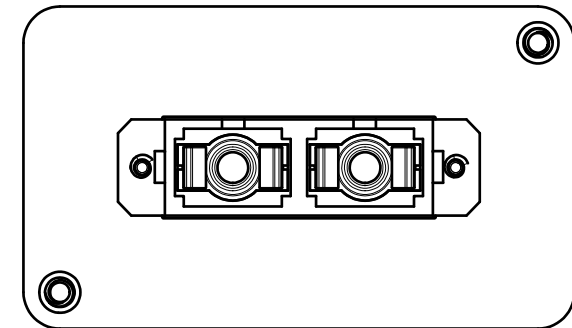
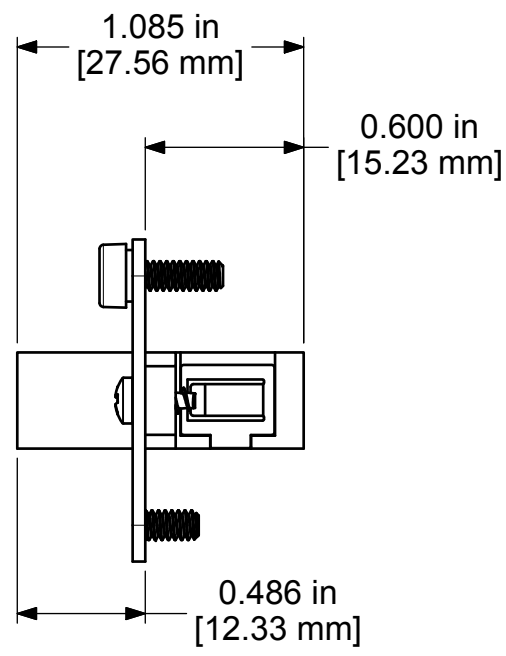
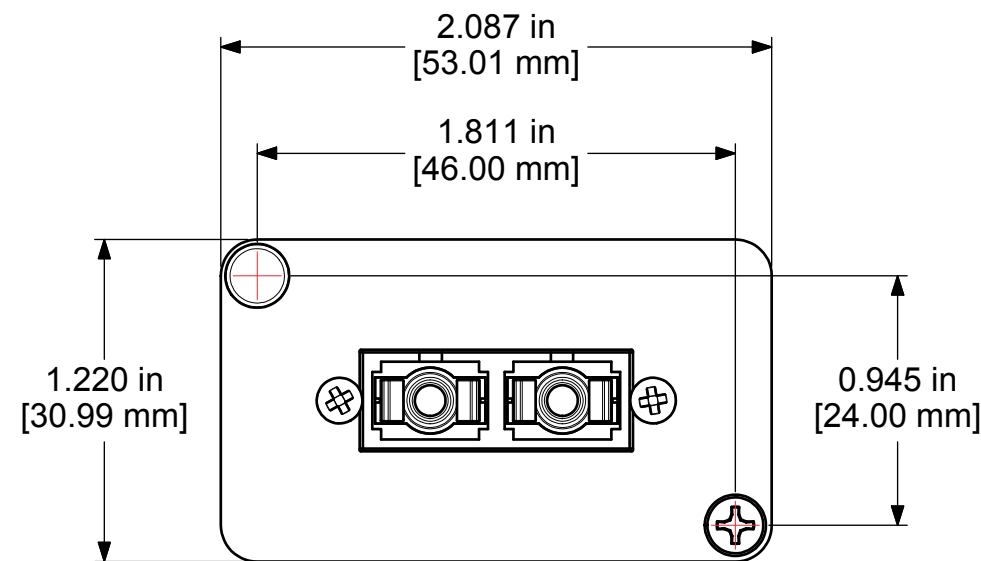


Product Drawing

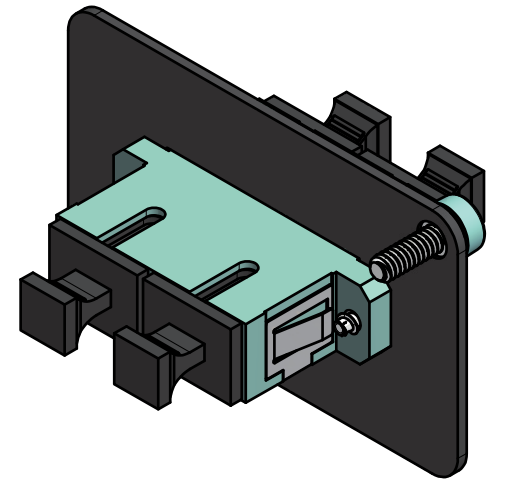
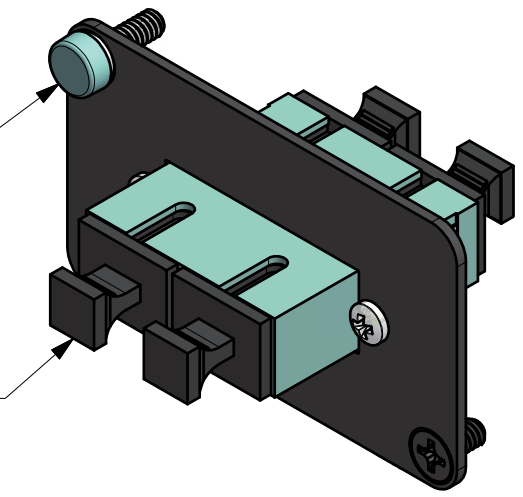
UMF-MMD-SC-AQ Connector Kit



Maxxum Indicator System (MIS).
Module Kit supplied with Aqua,
and Black Color-code Caps.



Supplied with 4x
removable plugs



Fits Maxxum
Dual D Panels

* In the interest of improved design and performance, AVP reserves the right to make changes in its specifications without prior notice. Although every reasonable effort has been made to insure the accuracy of the information contained, photographs and/or drawings may differ slightly from the appearance or dimension of the actual product. All trademarks, trade names, logos, product names, and company names appearing are the property of their respective owners. Not responsible for typographical or data errors. Copyright © AVP MFG & Supply Inc.

MIS Ordering Info	○ WHITE ● BEIGE ● YELLOW ● BROWN ● BLUE ● GRAY ● PURPLE ● GREEN ● RED ● AQUA ● BLACK ● ORANGE ● MAGENTA	MIS-30-COLOR } MIS-60-COLOR } MIS-100-COLOR }	Replace "COLOR" Eg: MIS-30-RED to order 30 RED	MIS-30-Multi - 30 of each color MIS-60-Multi - 60 of each color MIS-100-Multi - 100 each color
--	---	---	--	--



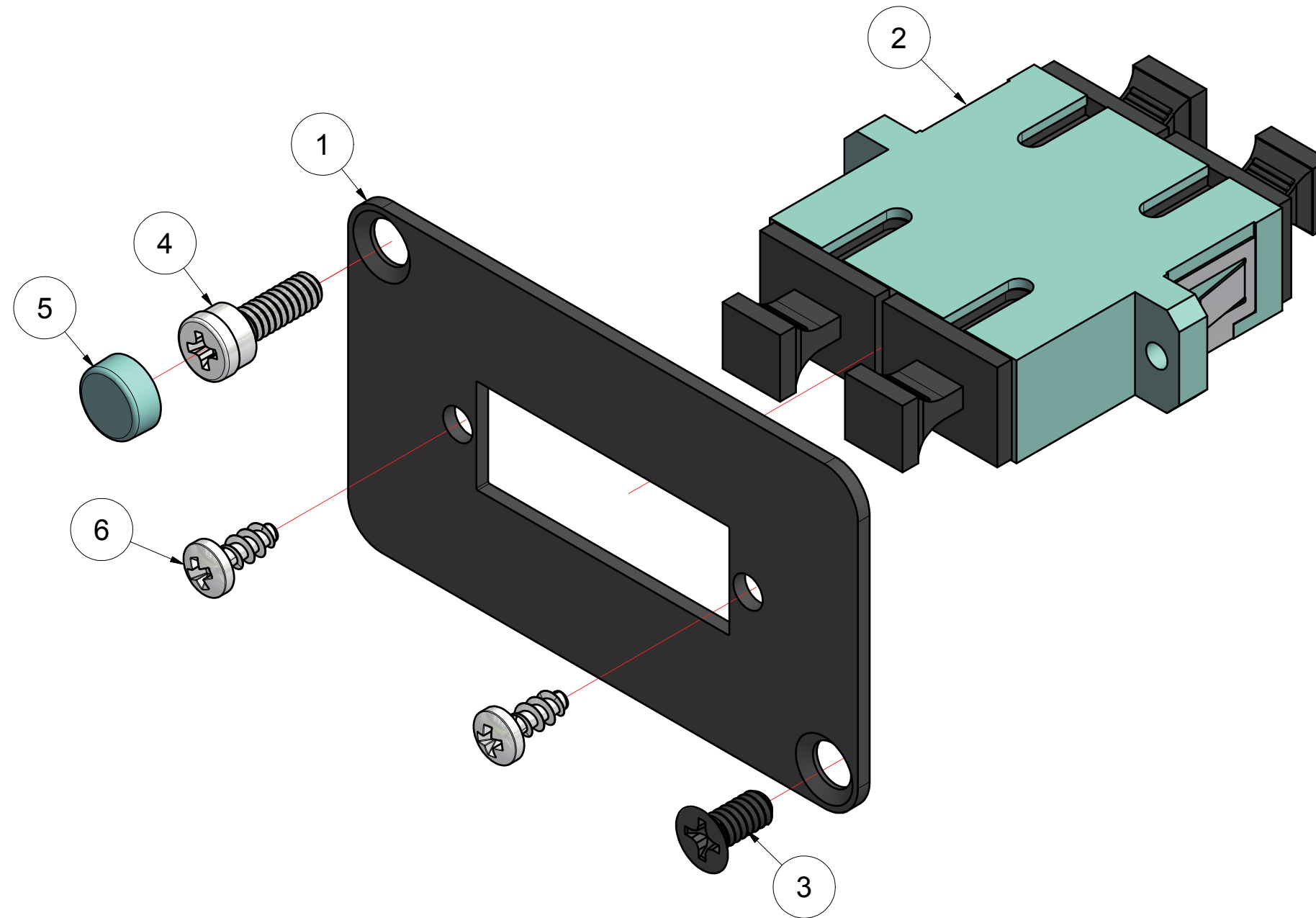
**SC Multimode Duplex 10G OM3/4 Aqua Adapter,
Polymer Housing, Zirconia Sleeve, Black & Aqua MIS,
Adapter Plate(s) and/or Hardware, Maxxum Series**

File Name: UMF-MMD-SC-AQ-PD		P/N: 907189	
Product Family: Universal Bulkhead Panel System, Maxxum Series			
Date Drawn: 03/09/2023	Page Number: 1 of 2	Revision: 7.0	Sheet Size: B
Drawn By: D.Brazeau	Checked By:	Approved By:	

UMF-MMD-SC-AQ Connector Kit

Parts List		
ITEM	QTY	PART No.
1	1	126098
1	1	111801-PB
2	1	241324
3	1	126180
4	1	129916
5	1	126384
6	2	126147

Included MIS Indicator Not Shown			
ITEM	QTY	PART No.	COLOR
1	1	126098	Black



* In the interest of improved design and performance, AVP reserves the right to make changes in its specifications without prior notice. Although every reasonable effort has been made to insure the accuracy of the information contained, photographs and/or drawings may differ slightly from the appearance or dimension of the actual product. All trademarks, trade names, logos, product names, and company names appearing are the property of their respective owners. Not responsible for typographical or data errors. Copyright © AVP MFG & Supply Inc.

	○ WHITE ● BEIGE ● YELLOW ● BROWN ● BLUE ● GRAY ● PURPLE ● GREEN ● RED ● AQUA ● BLACK ● ORANGE ● MAGENTA	MIS-30-COLOR } Replace "COLOR" MIS-60-COLOR } Eg: MIS-30-RED MIS-100-COLOR } to order 30 RED	MIS-30-Multi - 30 of each color MIS-60-Multi - 60 of each color MIS-100-Multi - 100 each color
--	---	--	--



SC Multimode Duplex 10G OM3/4 Aqua Adapter, Polymer Housing, Zirconia Sleeve, Black & Aqua MIS, Adapter Plate(s) and/or Hardware, Maxxum Series

File Name: UMF-MMD-SC-AQ-PD	P/N: 907189		
Product Family: Universal Bulkhead Panel System, Maxxum Series			
Date Drawn: 03/09/2023	Page Number: 2 of 2	Revision: 7.0	Sheet Size: B
Drawn By: D.Brazeau	Checked By:	Approved By:	