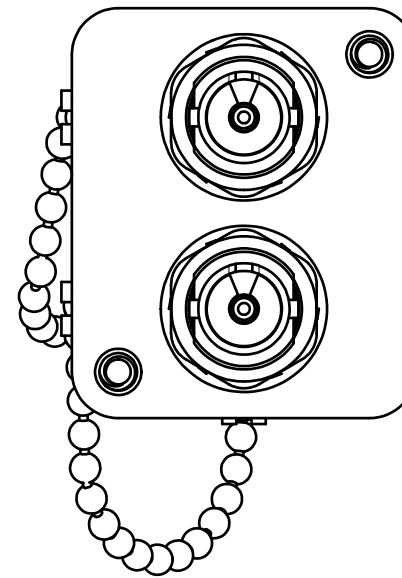
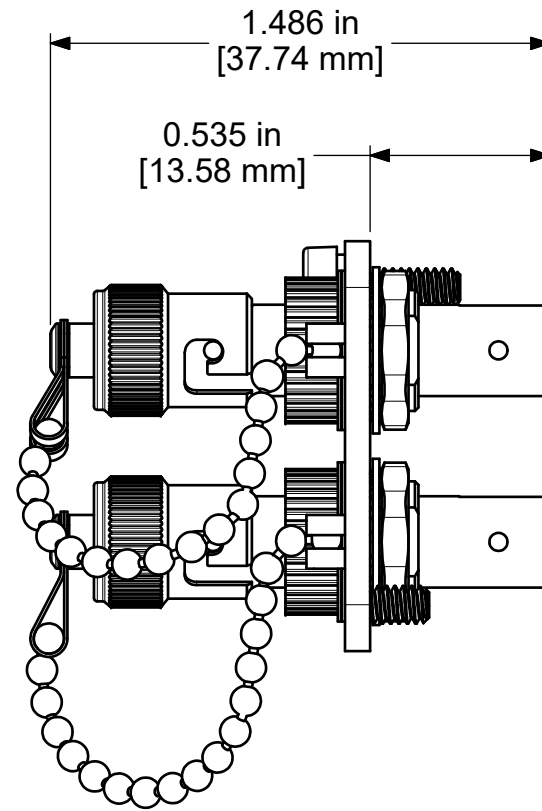
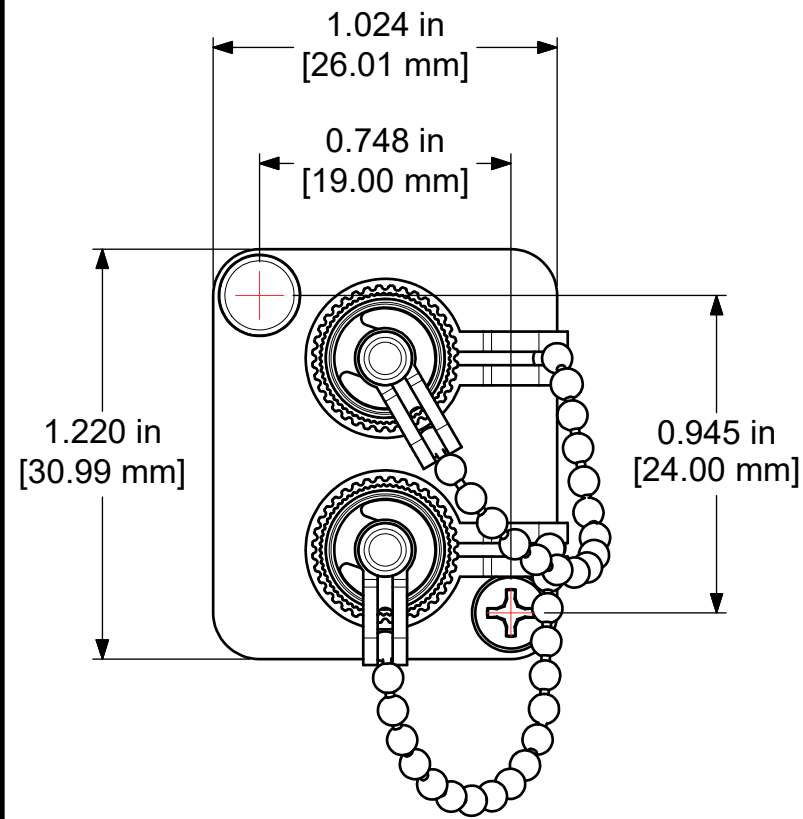
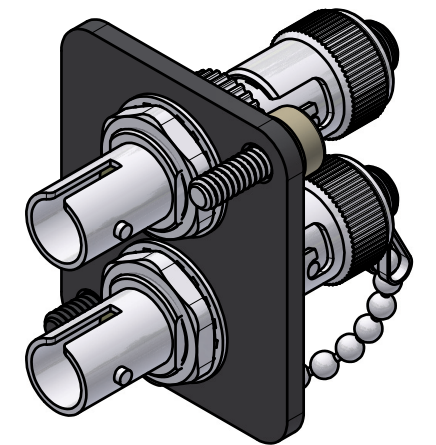
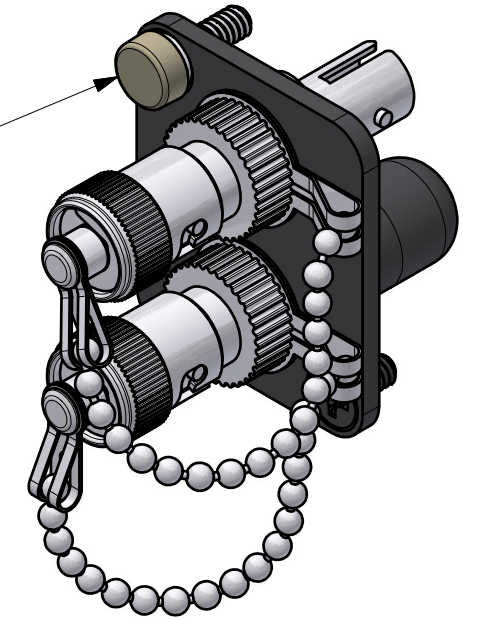
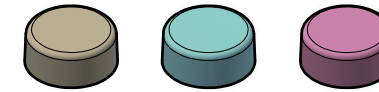


Product Drawing

UMF-MMD-ST-DC Connector Kit



Maxxum Indicator System (MIS).
Module Kit supplied with Beige,
Aqua and Magenta Color-coded
Caps.



* In the interest of improved design and performance, AVP reserves the right to make changes in its specifications without prior notice. Although every reasonable effort has been made to insure the accuracy of the information contained, photographs and/or drawings may differ slightly from the appearance or dimension of the actual product. All trademarks, trade names, logos, product names, and company names appearing are the property of their respective owners. Not responsible for typographical or data errors. Copyright © AVP MFG & Supply Inc.

	○ WHITE ● BEIGE ● YELLOW ● BROWN ● BLUE ● GRAY ● PURPLE ● GREEN ● RED ● AQUA ● BLACK ● ORANGE ● MAGENTA	MIS-30-COLOR } MIS-60-COLOR } MIS-100-COLOR }	Replace "COLOR" Eg: MIS-30-RED to order 30 RED	MIS-30-Multi - 30 of each color MIS-60-Multi - 60 of each color MIS-100-Multi - 100 each color
--	---	---	--	--



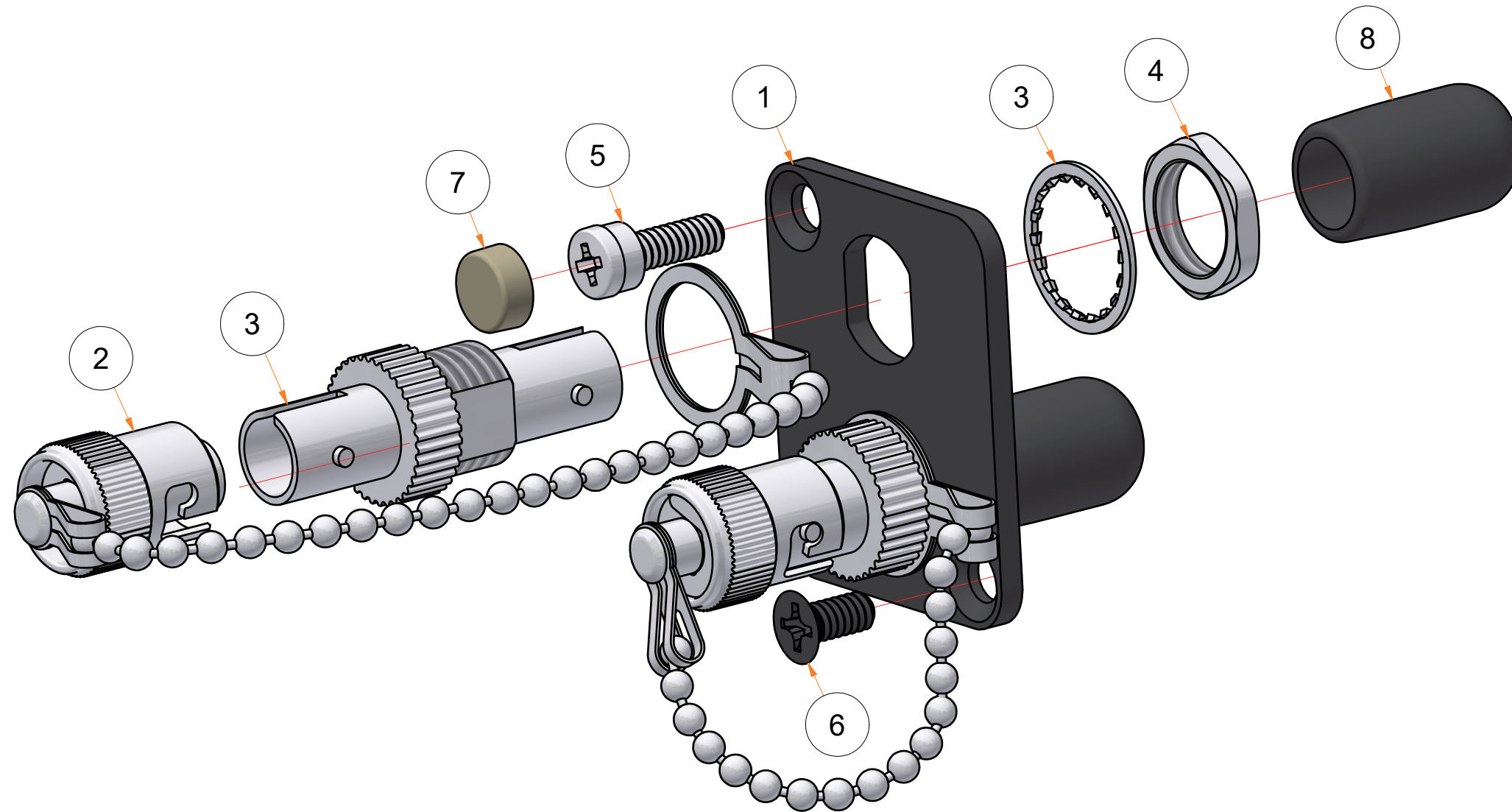
**ST MM DX OM1/2/3/4 Metal Adaptor, Zirconia Sleeve,
2 Dust Caps, Beige, Aqua, Magenta MIS, Adapter Plate(s)
and/or Hardware, Maxxum Series**

File Name: UMF-MMD-ST-DC-PD			P/N: 907183	
Product Family: Universal Bulkhead Panel System, Maxxum Series				
Date Drawn: 09-Dec-24	Page Number: 1 of 2	Revision: 7.0	Sheet Size: B	
Drawn By: D.Brazeau	Checked By:	Approved By:		

MF-MMD-ST-DC Connector Kit

Parts List		
ITEM	QTY	PART No.
1	1	119645-PB
2	2	241552
3	2	241318
4	2	129981
5	1	129916
6	1	126180
7	1	126385

Included MIS Indicators Not Shown			
ITEM	QTY	PART No.	COLOR
1	1	126384	Aqua
2	1	126386	Magenta



* In the interest of improved design and performance, AVP reserves the right to make changes in its specifications without prior notice. Although every reasonable effort has been made to insure the accuracy of the information contained, photographs and/or drawings may differ slightly from the appearance or dimension of the actual product. All trademarks, trade names, logos, product names, and company names appearing are the property of their respective owners. Not responsible for typographical or data errors. Copyright © AVP MFG & Supply Inc.

	○ WHITE ● BEIGE ● YELLOW ● BROWN ● BLUE ● GRAY ● PURPLE ● GREEN ● RED ● AQUA ● BLACK ● ORANGE ● MAGENTA	MIS-30-COLOR } Replace "COLOR" MIS-60-COLOR } Eg: MIS-30-RED MIS-100-COLOR } to order 30 RED	MIS-30-Multi - 30 of each color MIS-60-Multi - 60 of each color MIS-100-Multi - 100 each color
--	---	--	--

ST MM DX OM1/2/3/4 Metal Adaptor, Zirconia Sleeve, 2 Dust Caps, Beige, Aqua, Magenta MIS, Adapter Plate(s) and/or Hardware, Maxxum Series

File Name: UMF-MMD-ST-DC-PD		P/N: 907183	
Product Family: Universal Bulkhead Panel System, Maxxum Series			
Date Drawn: 09-Dec-24	Page Number: 2 of 2	Revision: 7.0	Sheet Size: B
Drawn By: D.Brazeau	Checked By:	Approved By:	