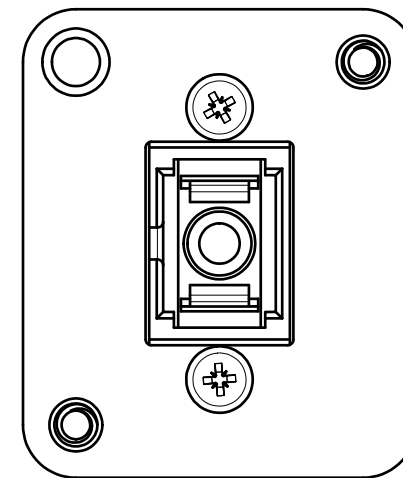
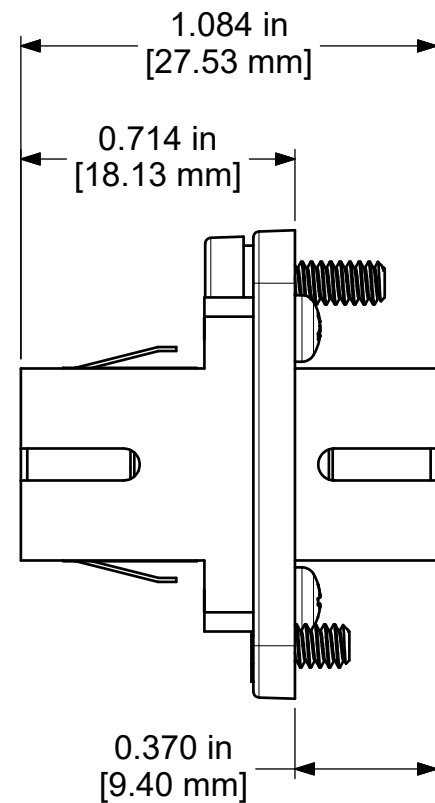
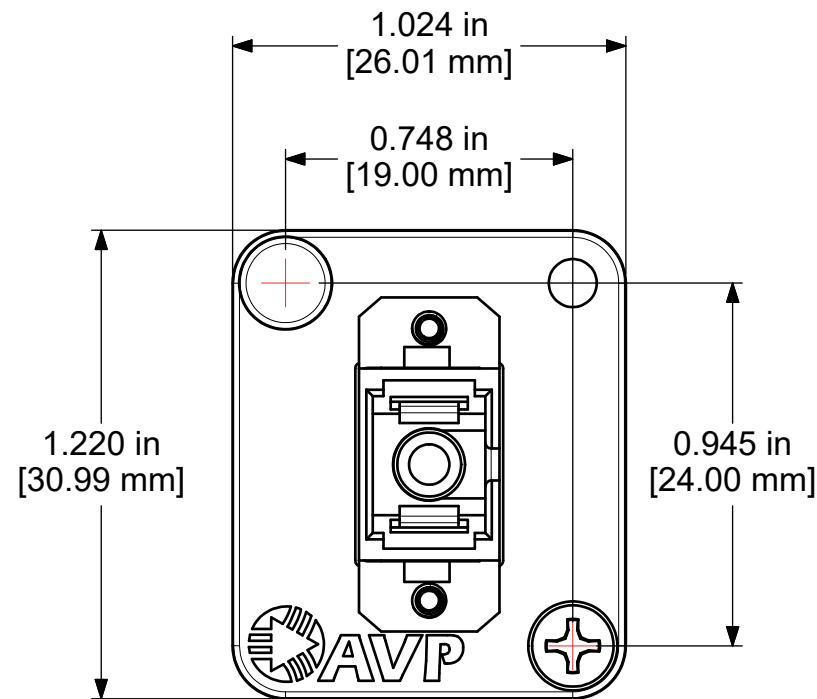
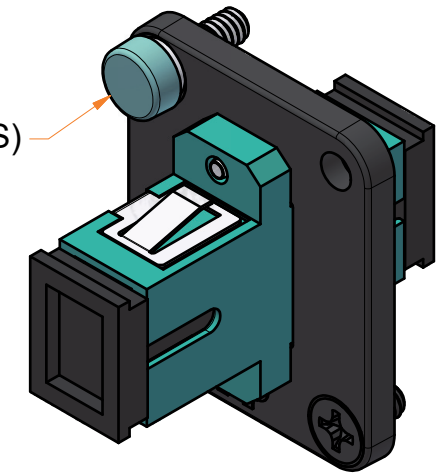


# Product Drawing

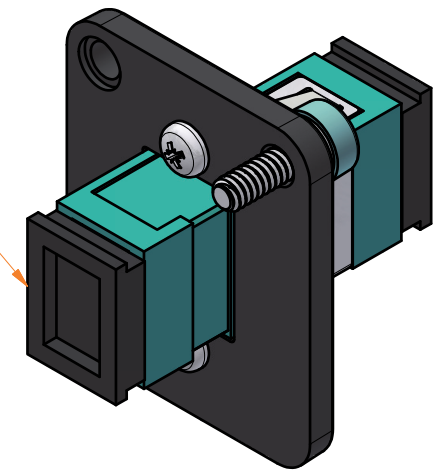
# UMF-MMS-SC-AQ Connector Kit



Maxxum Indicator System (MIS)  
Aqua colored cap supplied



Supplied with 2x  
removable plugs



Note: Parts as shown are for reference only, actual parts may vary

\* In the interest of improved design and performance, AVP reserves the right to make changes in its specifications without prior notice. Although every reasonable effort has been made to insure the accuracy of the information contained, photographs and/or drawings may differ slightly from the appearance or dimension of the actual product. All trademarks, trade names, logos, product names, and company names appearing are the property of their respective owners. Not responsible for typographical or data errors. Copyright © AVP MFG & Supply Inc.

**CIS  
Ordering  
Info**

- WHITE
- BLUE
- RED
- BEIGE
- GRAY
- AQUA
- YELLOW
- PURPLE
- BLACK
- BROWN
- GREEN
- ORANGE
- MAGENTA

- CIS-30-COLOR
- CIS-60-COLOR
- CIS-100-COLOR

Replace "COLOR"  
Eg: CIS-30-RED  
to order 30 RED

- CIS-30-Multi - 30 of each color
- CIS-60-Multi - 60 of each color
- CIS-100-Multi - 100 each color



**SC Multimode Simplex 10G OM3,4 Aqua Adapter,  
Polymer Housing, Zirconia Sleeve, Aqua MIS,  
Adapter Plate(s) and/or Hardware, Maxxum Series**

File Name: UMF-MMS-SC-AQ-PD

P/N: 907187

Product Family: Universal Bulkhead Panel System, Maxxum Series

Date Drawn: 19-Oct-25

Page Number: 1 of 2

Revision: 8.0

Sheet Size: B

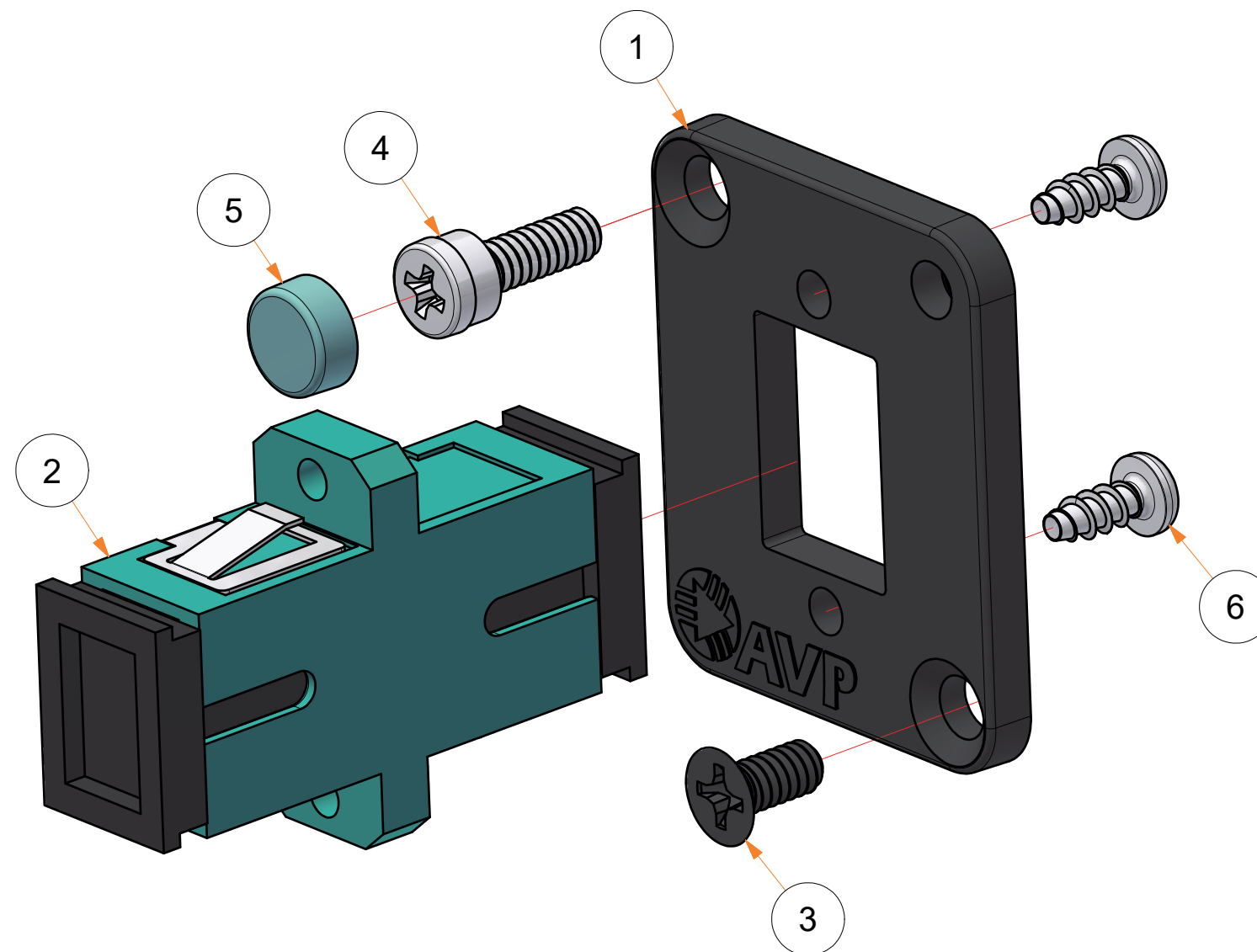
Drawn By: D.Brazeau

Checked By:

Approved By:

Parts List		
ITEM	QTY	PART No.
1	1	129923
2	1	241559
3	1	126180
4	1	129916
5	1	126384
6	2	126147

# UMF-MMS-SC-AQ Connector Kit



\* In the interest of improved design and performance, AVP reserves the right to make changes in its specifications without prior notice. Although every reasonable effort has been made to insure the accuracy of the information contained, photographs and/or drawings may differ slightly from the appearance or dimension of the actual product. All trademarks, trade names, logos, product names, and company names appearing are the property of their respective owners. Not responsible for typographical or data errors. Copyright © AVP MFG & Supply Inc.

<b>CIS</b> <b>Ordering</b> <b>Info</b>	○ WHITE   ● BEIGE   ● YELLOW   ● BROWN ● BLUE   ● GRAY   ● PURPLE   ● GREEN ● RED   ● AQUA   ● BLACK   ● ORANGE   ● MAGENTA	CIS-30-COLOR } CIS-60-COLOR } Replace "COLOR" CIS-100-COLOR } to order 30 RED	CIS-30-Multi - 30 of each color CIS-60-Multi - 60 of each color CIS-100-Multi - 100 each color
--	---	---	--



## SC Multimode Simplex 10G OM3,4 Aqua Adapter, Polymer Housing, Zirconia Sleeve, Aqua MIS, Adapter Plate(s) and/or Hardware, Maxxum Series

File Name: UMF-MMS-SC-AQ-PD		P/N: 907187	
Product Family: Universal Bulkhead Panel System, Maxxum Series			
Date Drawn: 19-Oct-25	Page Number: 2 of 2	Revision: 8.0	Sheet Size: B
Drawn By: D.Brazeau	Checked By:	Approved By:	