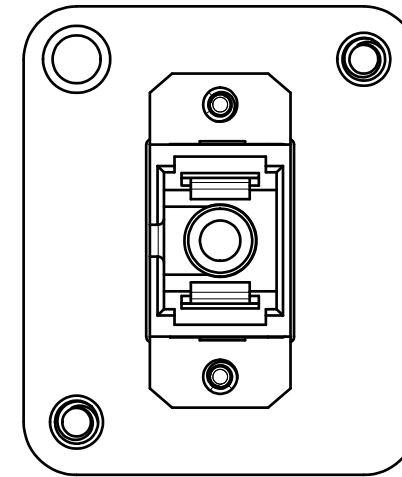
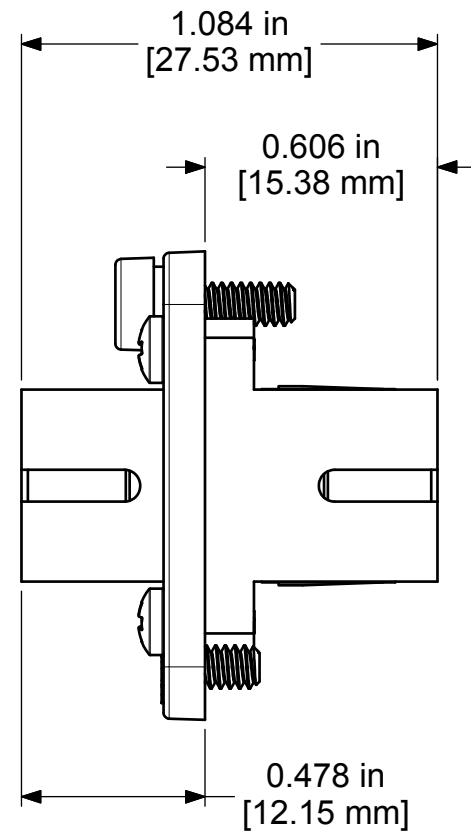
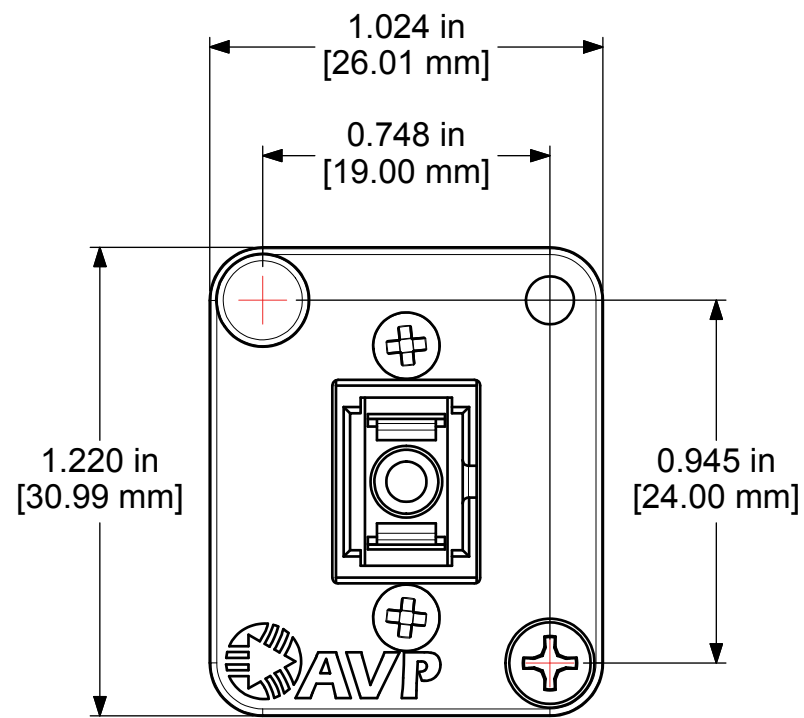


Product Drawing

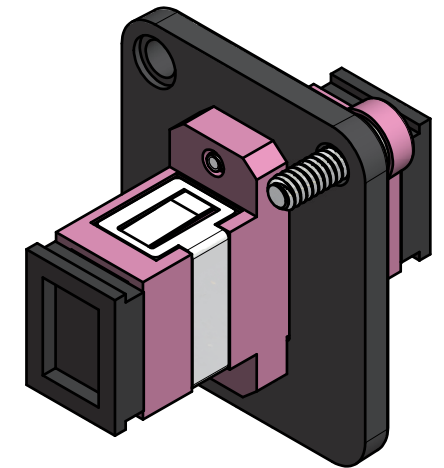
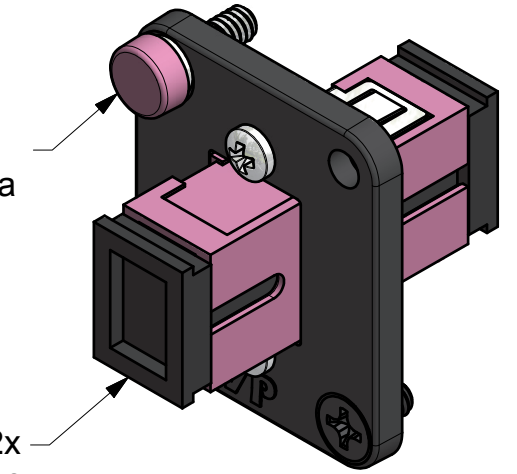
UMF-MMS-SC-MG Connector Kit



Maxxum Indicator System (MIS).
Module Kit supplied with Magenta
and Black Color-code Caps.



Supplied with 2x
removable plugs



* In the interest of improved design and performance, AVP reserves the right to make changes in its specifications without prior notice. Although every reasonable effort has been made to insure the accuracy of the information contained, photographs and/or drawings may differ slightly from the appearance or dimension of the actual product. All trademarks, trade names, logos, product names, and company names appearing are the property of their respective owners. Not responsible for typographical or data errors. Copyright © AVP MFG & Supply Inc.

**MIS
Ordering
Info**

○ WHITE ● BEIGE ● YELLOW ● BROWN
● BLUE ● GRAY ● PURPLE ● GREEN
● RED ● AQUA ● BLACK ● ORANGE ● MAGENTA

MIS-30-COLOR
MIS-60-COLOR
MIS-100-COLOR

Replace "COLOR"
Eg: MIS-30-RED
to order 30 RED

MIS-30-Multi - 30 of each color
MIS-60-Multi - 60 of each color
MIS-100-Multi - 100 each color



**SC MM SX 10G OM4 Magenta Adpt, Polymer Housing,
Zirconia SI, Black & Magenta MIS, Adapter Plate(s)
and/or Hardware, Maxxum Series**

File Name: UMF-MMS-SC-MG-PD

P/N: 908816

Product Family: Universal Bulkhead Panel System, Maxxum Series

Date Drawn: 04/09/2023

Page Number: 1 of 2

Revision: 3.0

Sheet Size: B

Drawn By: D.Brazeau

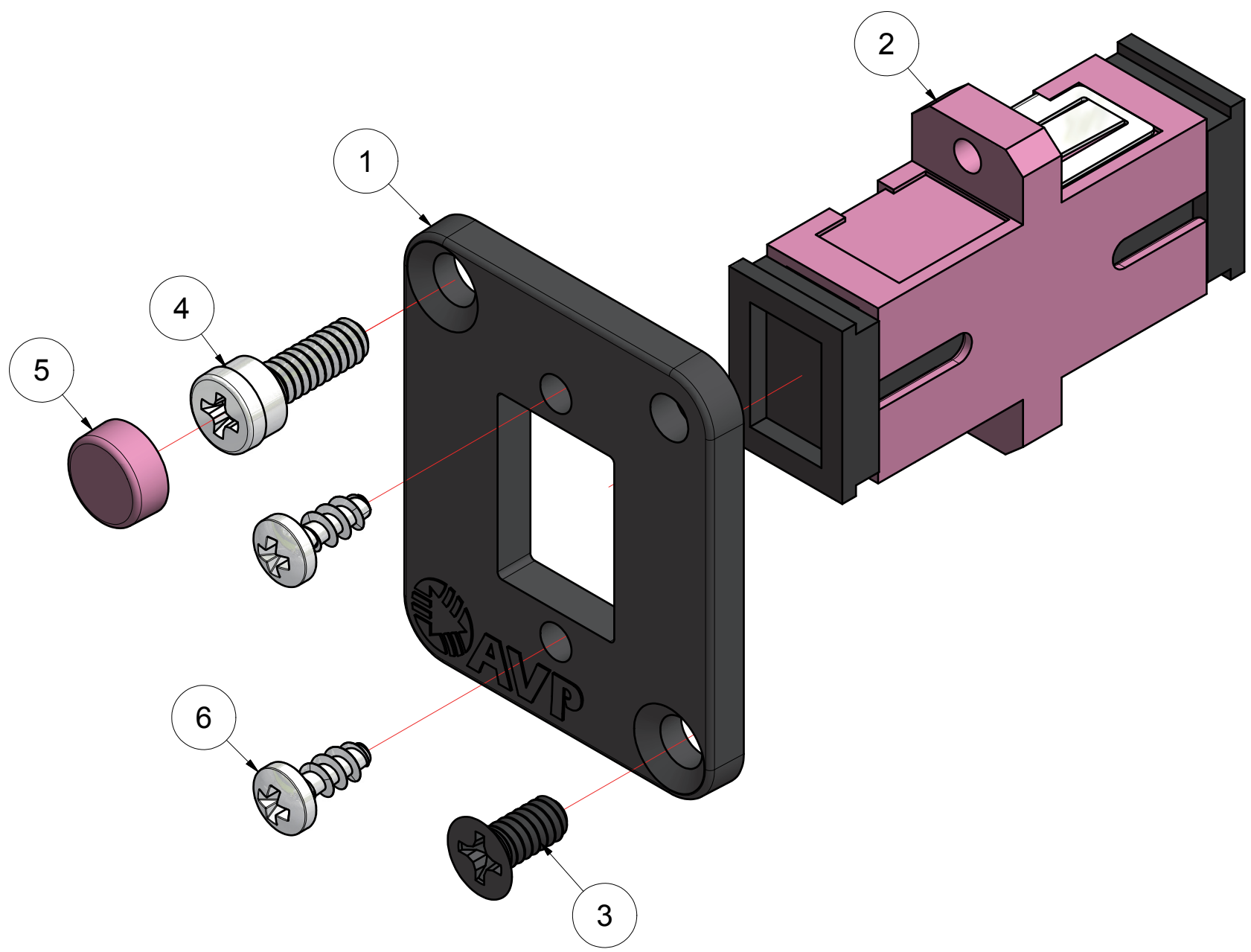
Checked By:

Approved By:

UMF-MMS-SC-MG Connector Kit

Parts List		
ITEM	QTY	PART No.
1	1	129923
2	1	241703
3	1	126180
4	1	129916
5	1	126386
6	2	126147

Included MIS Indicator Not Shown			
ITEM	QTY	PART No.	COLOR
1	1	126098	Black



* In the interest of improved design and performance, AVP reserves the right to make changes in its specifications without prior notice. Although every reasonable effort has been made to insure the accuracy of the information contained, photographs and/or drawings may differ slightly from the appearance or dimension of the actual product. All trademarks, trade names, logos, product names, and company names appearing are the property of their respective owners. Not responsible for typographical or data errors. Copyright © AVP MFG & Supply Inc.

	○ WHITE ● BEIGE ● YELLOW ● BROWN ● BLUE ● GRAY ● PURPLE ● GREEN ● RED ● AQUA ● BLACK ● ORANGE ● MAGENTA	MIS-30-COLOR } Replace "COLOR" MIS-60-COLOR } Eg: MIS-30-RED MIS-100-COLOR } to order 30 RED	MIS-30-Multi - 30 of each color MIS-60-Multi - 60 of each color MIS-100-Multi - 100 each color
--	---	--	--



**SC MM SX 10G OM4 Magenta Adpt, Polymer Housing,
Zirconia SI, Black & Magenta MIS, Adapter Plate(s)
and/or Hardware, Maxxum Series**

File Name: UMF-MMS-SC-MG-PD	P/N: 908816		
Product Family: Universal Bulkhead Panel System, Maxxum Series			
Date Drawn: 04/09/2023	Page Number: 2 of 2	Revision: 3.0	Sheet Size: B
Drawn By: D.Brazeau	Checked By:	Approved By:	