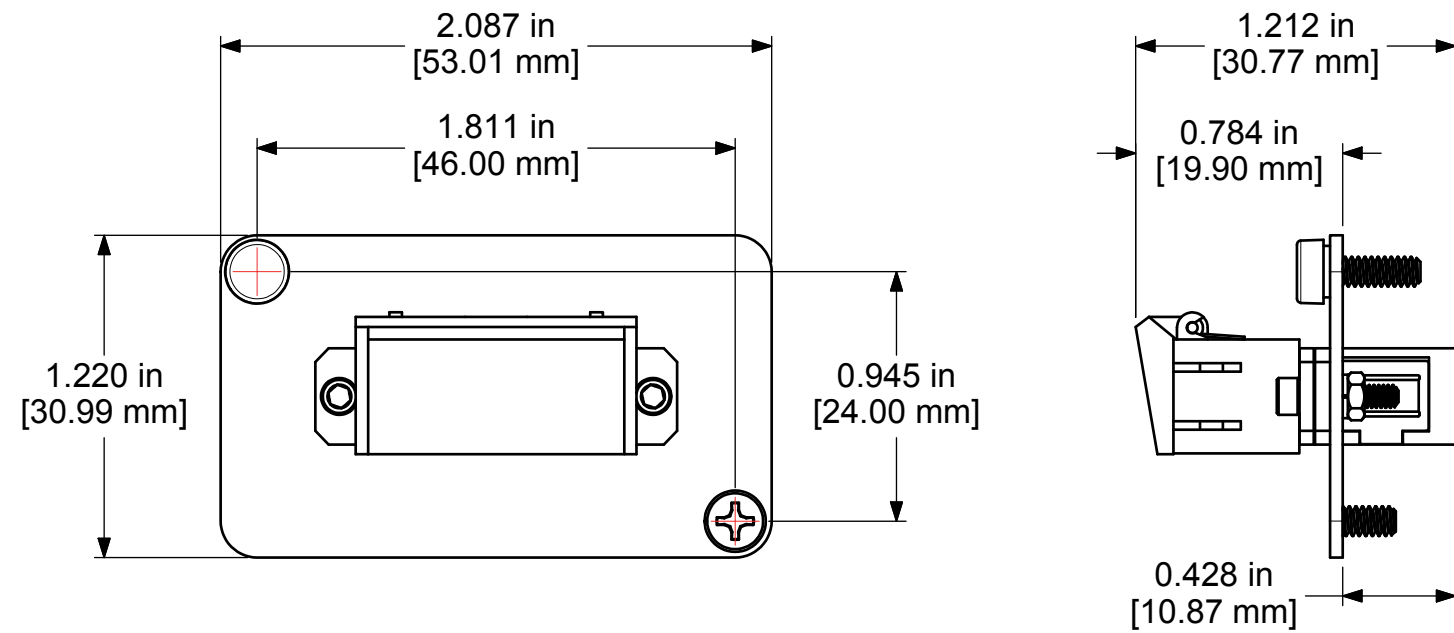


# Product Drawing

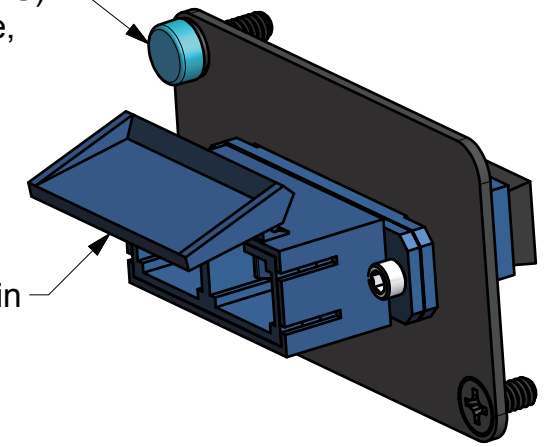
# UMF-SMD-SC-BL-SH Connector Kit



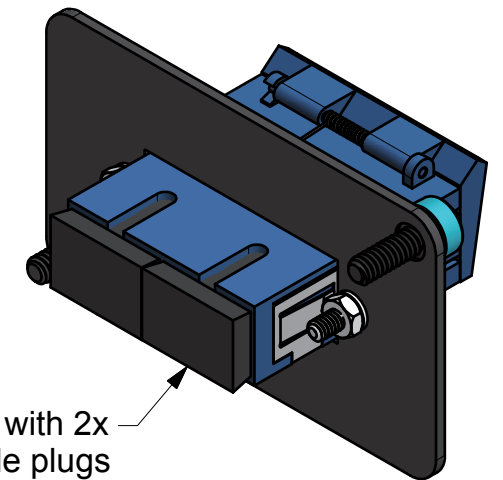
Maxxum Indicator System (MIS).  
Module Kit supplied with Blue,  
and Black Color-code Caps.



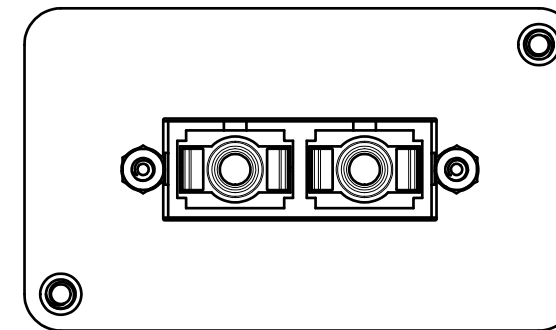
Shutter Door shown in  
the open position.



Supplied with 2x  
removable plugs



Fits Maxxum  
Dual D Panels



\* In the interest of improved design and performance, AVP reserves the right to make changes in its specifications without prior notice. Although every reasonable effort has been made to insure the accuracy of the information contained, photographs and/or drawings may differ slightly from the appearance or dimension of the actual product. All trademarks, trade names, logos, product names, and company names appearing are the property of their respective owners. Not responsible for typographical or data errors. Copyright © AVP MFG & Supply Inc.

**MIS**  
**Ordering**  
**Info**

- WHITE
- BEIGE
- YELLOW
- BROWN
- BLUE
- GRAY
- PURPLE
- GREEN
- RED
- AQUA
- BLACK
- ORANGE
- MAGENTA

- MIS-30-COLOR
- MIS-60-COLOR
- MIS-100-COLOR

Replace "COLOR"  
Eg: MIS-30-RED  
to order 30 RED

- MIS-30-Multi - 30 of each color
- MIS-60-Multi - 60 of each color
- MIS-100-Multi - 100 each color



**SC Singlemode Duplex Blue Adapter with Shutter,  
Polymer Housing, Zirconia Sleeve, Black & Blue MIS,  
Adapter Plate(s) and/or Hardware, Maxxum Series**

File Name: UMF-SMD-SC-BL-SH-PD

P/N: 907192

Product Family: Universal Bulkhead Panel System, Maxxum Series

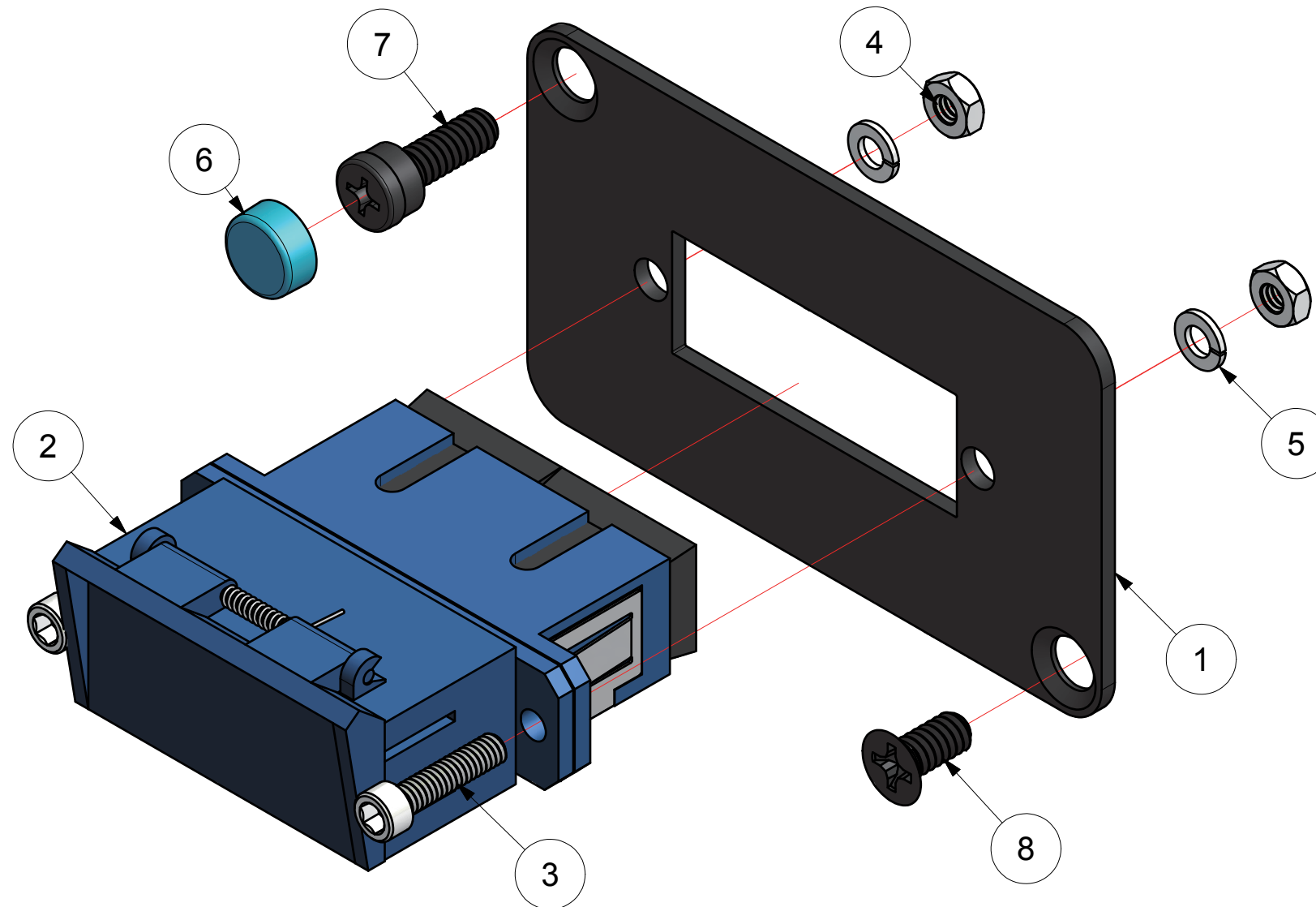
Date Drawn: 20/06/2018 | Page Number: 1 of 2 | Revision: 5.0 | Sheet Size: B

Drawn By: D.Brazeau | Checked By: | Approved By:

Parts List		
ITEM	QTY	PART No.
1	1	111801-PB
2	1	241327
3	2	123497
4	2	123527
5	2	123528
6	1	126095
7	1	126144
8	1	126180

Included MIS Indicator Not Shown			
ITEM	QTY	PART No.	COLOR
1	1	126098	Black

# UMF-SMD-SC-BL-SH Connector Kit



\* In the interest of improved design and performance, AVP reserves the right to make changes in its specifications without prior notice. Although every reasonable effort has been made to insure the accuracy of the information contained, photographs and/or drawings may differ slightly from the appearance or dimension of the actual product. All trademarks, trade names, logos, product names, and company names appearing are the property of their respective owners. Not responsible for typographical or data errors. Copyright © AVP MFG & Supply Inc.

**MIS**  
Ordering  
Info

- WHITE
- BLUE
- RED
- BEIGE
- GRAY
- AQUA
- BLACK
- YELLOW
- PURPLE
- ORANGE
- BROWN
- GREEN
- MAGENTA

MIS-30-COLOR  
MIS-60-COLOR  
MIS-100-COLOR

Replace "COLOR"  
Eg: MIS-30-RED  
to order 30 RED

MIS-30-Multi - 30 of each color  
MIS-60-Multi - 60 of each color  
MIS-100-Multi - 100 each color



## SC Singlemode Duplex Blue Adapter with Shutter, Polymer Housing, Zirconia Sleeve, Black & Blue MIS, Adapter Plate(s) and/or Hardware, Maxxum Series

File Name: UMF-SMD-SC-BL-SH-PD

P/N: 907192

Product Family: Universal Bulkhead Panel System, Maxxum Series

Date Drawn: 20/06/2018

Page Number: 2 of 2

Revision: 5.0

Sheet Size: B

Drawn By: D.Brazeau

Checked By:

Approved By: