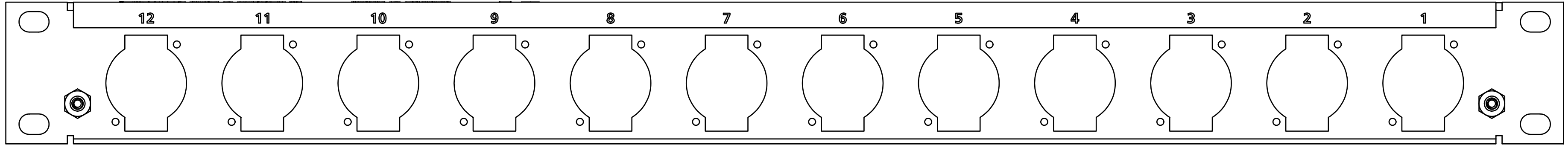


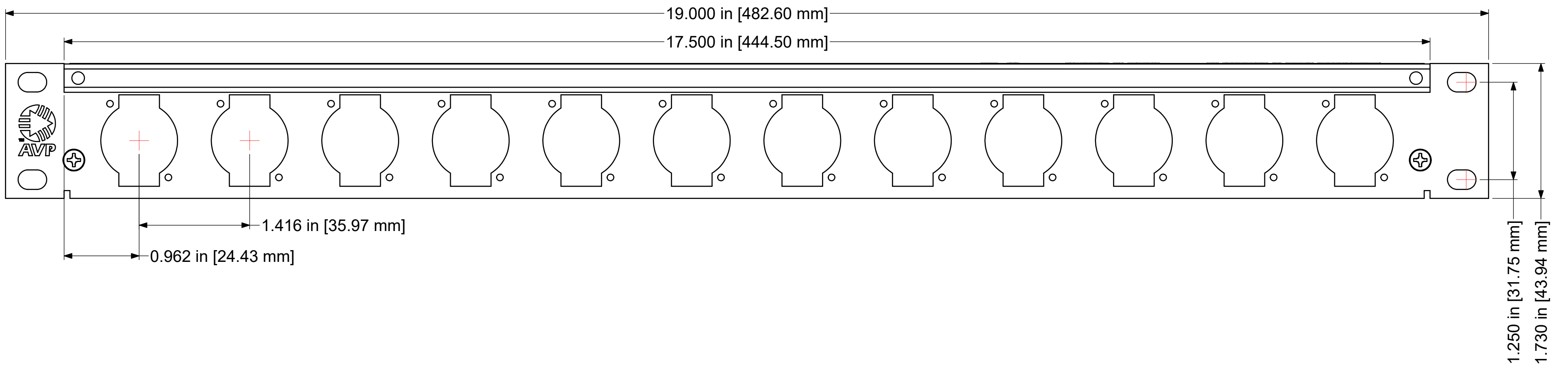
Product Drawing

Maxxum Universal Panel WKM-US112E1-Z-BZ

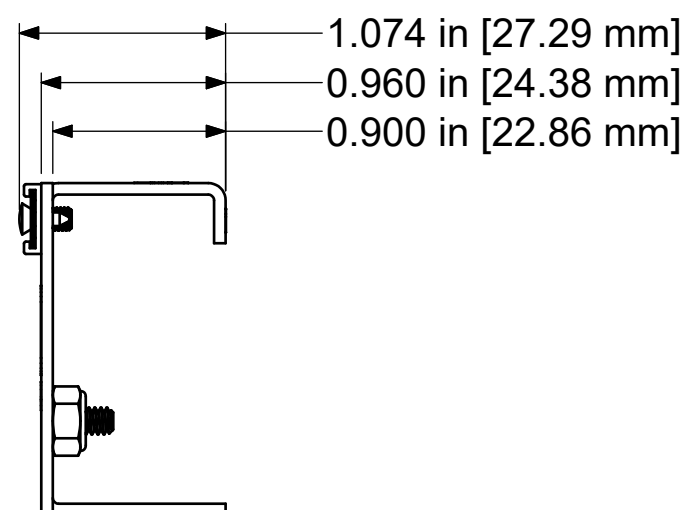


Rear View

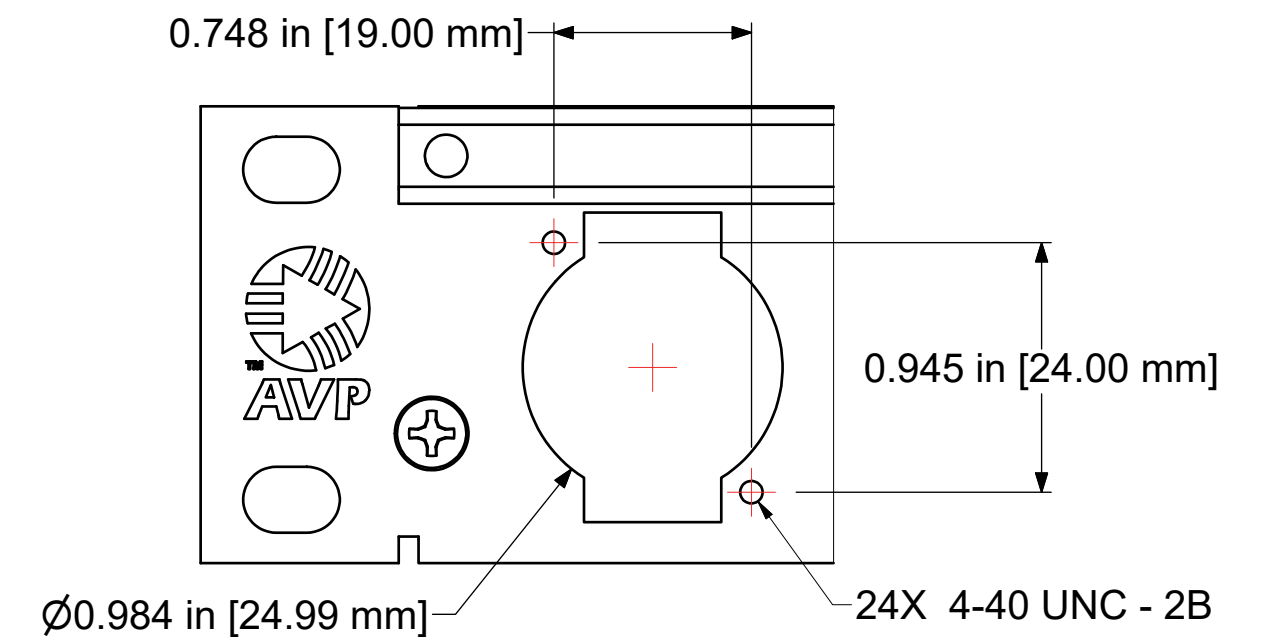
Front View



Side View




Connector Mounting Detail



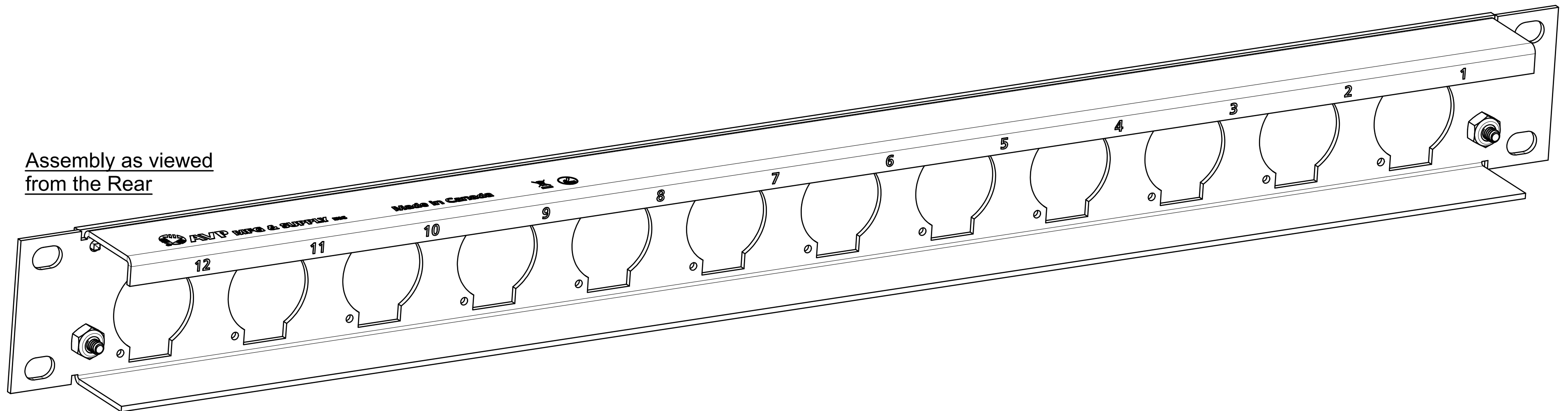
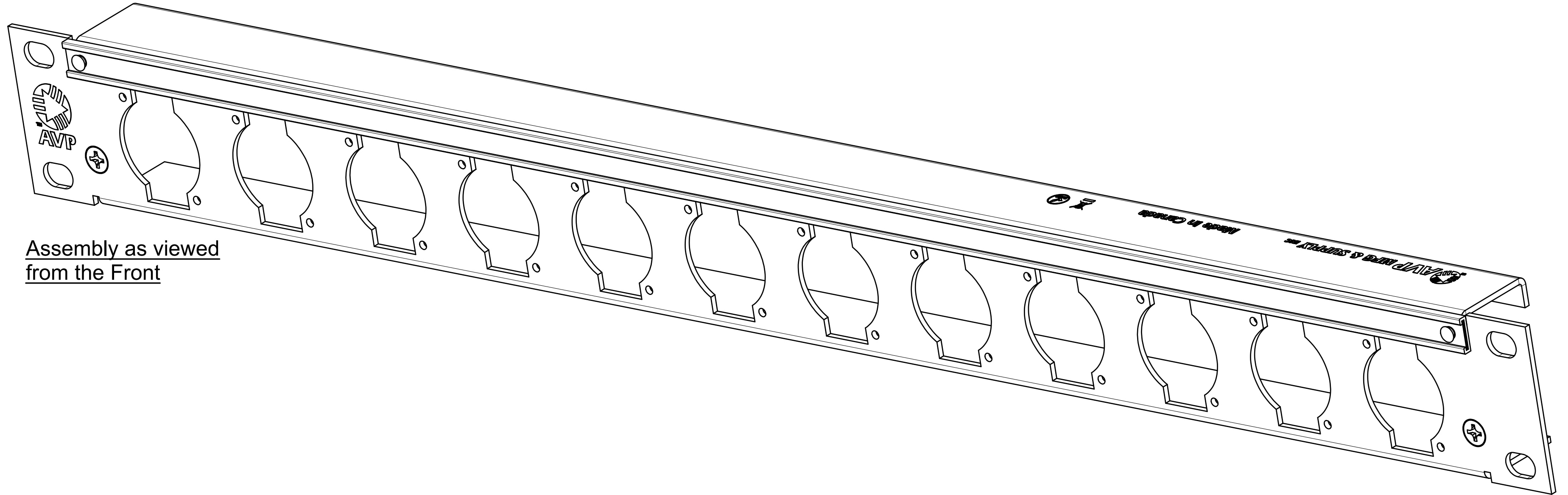
* In the interest of improved design and performance, AVP reserves the right to make changes in its specifications without prior notice. Although every reasonable effort has been made to insure the accuracy of the information contained, photographs and/or drawings may differ slightly from the appearance or dimension of the actual product. All trademarks, trade names, logos, product names, and company names appearing are the property of their respective owners. Not responsible for typographical or data errors. Copyright © AVP MFG & Supply Inc.

CIS/JIS Ordering Info
 ○ WHITE ● BEIGE ● YELLOW ● BROWN
 ● BLUE ● GRAY ● PURPLE ● GREEN
 ● RED ● AQUA ● BLACK ● ORANGE ● MAGENTA
 CIS-30-COLOR } Replace "COLOR"
 CIS-60-COLOR } to order 30 RED
 CIS-100-COLOR } Eg: CIS-30-RED
 CIS-30-Multi - 30 of each color
 CIS-60-Multi - 60 of each color
 CIS-100-Multi - 100 each color

		Maxxum Series, 1RU, 1x12 single position, empty, MIS color-code, 17.5" [445mm] designation, no cable-bar		File Name: WKM-US112E1-Z-BZ-PDD Product Family: Universal Bulkhead Panel System, Maxxum Series	P/N: 909321
Date Drawn: 24-Dec-24	Page Number: 1 of 3	Revision: 2.0	Sheet Size: C	Drawn By: D.Brazeau Checked By: Approved By:	
Copyright © 2024 AVP MFG & Supply Inc.		2288-B5 Dumfries Rd. RR2, Cambridge ON Canada N1R 5S3		Tel: 519-740-7966 • www.AVPbroadcast.com • sales@jackfields.com	

Product Drawing

Maxxum Universal Panel
WKM-US112E1-Z-BZ



* In the interest of improved design and performance, AVP reserves the right to make changes in its specifications without prior notice. Although every reasonable effort has been made to insure the accuracy of the information contained, photographs and/or drawings may differ slightly from the appearance or dimension of the actual product. All trademarks, trade names, logos, product names, and company names appearing are the property of their respective owners. Not responsible for typographical or data errors. Copyright © AVP MFG & Supply Inc.

CIS/JIS Ordering Info	○ WHITE	○ BEIGE	○ YELLOW	○ BROWN	CIS-30-COLOR CIS-60-COLOR CIS-100-COLOR	} Replace "COLOR" to order 30 RED Eg: CIS-30-RED	CIS-30-Multi - 30 of each color CIS-60-Multi - 60 of each color CIS-100-Multi - 100 each color
	● BLUE	● GRAY	● PURPLE	● GREEN			
	● RED	● AQUA	● BLACK	● ORANGE	● MAGENTA		

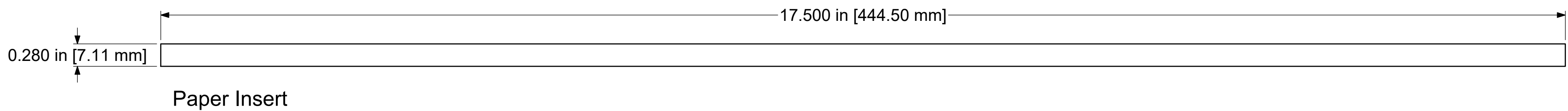
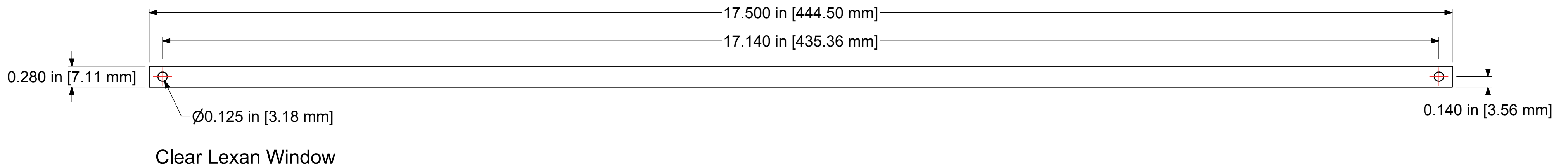
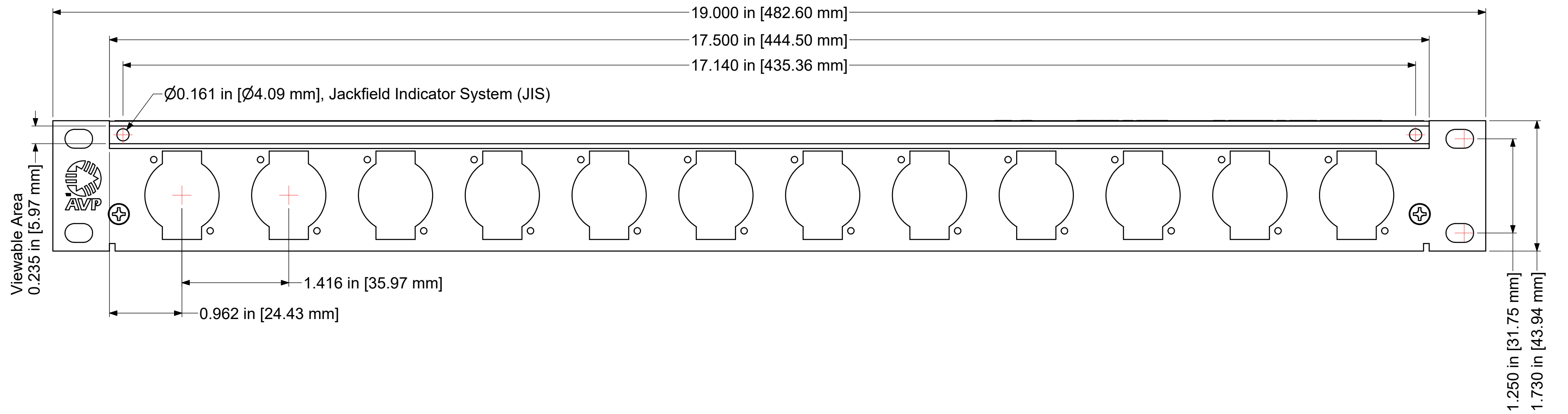
AVP Maxxum Series, 1RU, 1x12 single position, empty,
 MIS color-code, 17.5" [445mm] designation, no cable-bar

Copyright © 2024 AVP MFG & Supply Inc. 2288-B5 Dumfries Rd. RR2, Cambridge ON Canada N1R 5S3 Tel: 519-740-7966 • www.AVPbroadcast.com • sales@jackfields.com

File Name: WKM-US112E1-Z-BZ-PDD			P/N: 909321	
Product Family: Universal Bulkhead Panel System, Maxxum Series				
Date Drawn: 24-Dec-24	Page Number: 2 of 3	Revision: 2.0	Sheet Size: C	
Drawn By: D.Brazeau	Checked By:	Approved By:		

Designation Layout Drawing

Maxxum Universal Panel
WKM-US112E1-Z-BZ



* In the interest of improved design and performance, AVP reserves the right to make changes in its specifications without prior notice. Although every reasonable effort has been made to insure the accuracy of the information contained, photographs and/or drawings may differ slightly from the appearance or dimension of the actual product. All trademarks, trade names, logos, product names, and company names appearing are the property of their respective owners. Not responsible for typographical or data errors. Copyright © AVP MFG & Supply Inc.

CIS/JIS Ordering Info	○ WHITE	○ BEIGE	○ YELLOW	○ BROWN	CIS-30-COLOR CIS-60-COLOR CIS-100-COLOR	Replace "COLOR" Eg: CIS-30-RED to order 30 RED	CIS-30-Multi - 30 of each color CIS-60-Multi - 60 of each color CIS-100-Multi - 100 each color
	● BLUE	● GRAY	● PURPLE	● GREEN			
	● RED	● AQUA	● BLACK	● ORANGE	● MAGENTA		

AVP

**Maxxum Series, 1RU, 1x12 single position, empty,
MIS color-code, 17.5" [445mm] designation, no cable-bar**

File Name: WKM-US112E1-Z-BZ-PDD		P/N: 909321	
Product Family: Universal Bulkhead Panel System, Maxxum Series			
Date Drawn: 24-Dec-24	Page Number: 3 of 3	Revision: 2.0	Sheet Size: C
Drawn By: D.Brazeau	Checked By:	Approved By:	

Copyright © 2024 AVP MFG & Supply Inc. | 2288-B5 Dumfries Rd. RR2, Cambridge ON Canada N1R 5S3 | Tel: 519-740-7966 | www.AVPbroadcast.com | sales@jackfields.com

Designation P/N: 148208
Paper Strip P/N: 148209
Clear Lexan Window P/N: 148317