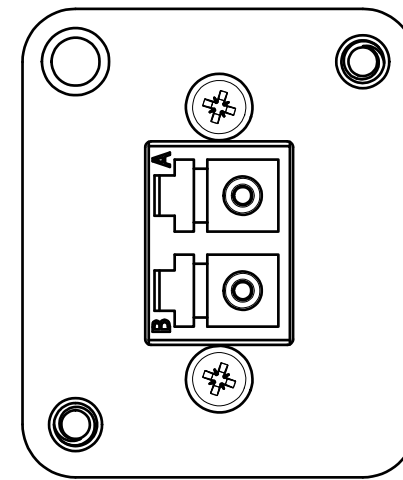
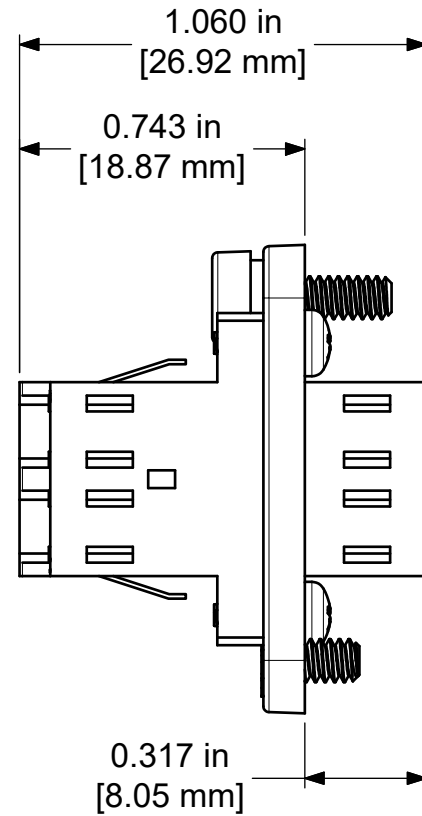
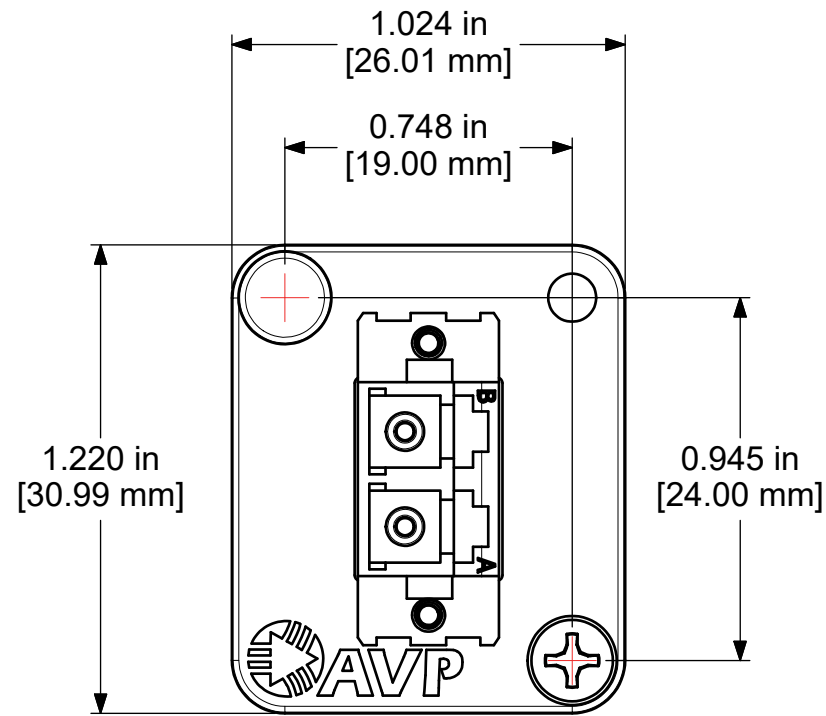
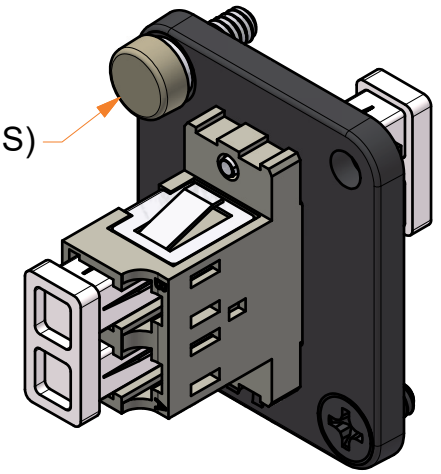


Product Drawing

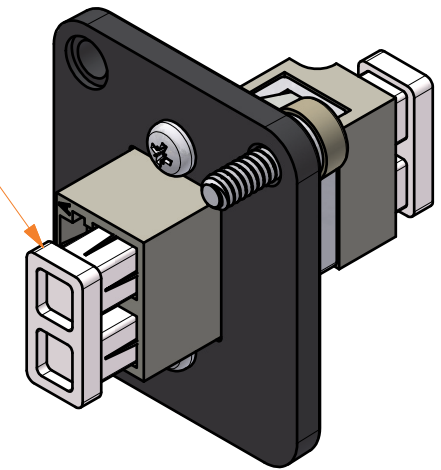
UMF-MMD-LC-BG Connector Kit



Maxxum Indicator System (MIS)
Beige colored cap supplied



Supplied with
2x Dust Plugs



Note: Parts as shown are for reference only, actual parts may vary

* In the interest of improved design and performance, AVP reserves the right to make changes in its specifications without prior notice. Although every reasonable effort has been made to insure the accuracy of the information contained, photographs and/or drawings may differ slightly from the appearance or dimension of the actual product. All trademarks, trade names, logos, product names, and company names appearing are the property of their respective owners. Not responsible for typographical or data errors. Copyright © AVP MFG & Supply Inc.

**MIS
Ordering
Info**

- WHITE
- BLUE
- RED
- BEIGE
- GRAY
- BLACK
- YELLOW
- PURPLE
- ORANGE
- BROWN
- GREEN
- MAGENTA

- MIS-30-COLOR
- MIS-60-COLOR
- MIS-100-COLOR

Replace "COLOR"
Eg: MIS-30-RED
to order 30 RED

- MIS-30-Multi - 30 of each color
- MIS-60-Multi - 60 of each color
- MIS-100-Multi - 100 each color

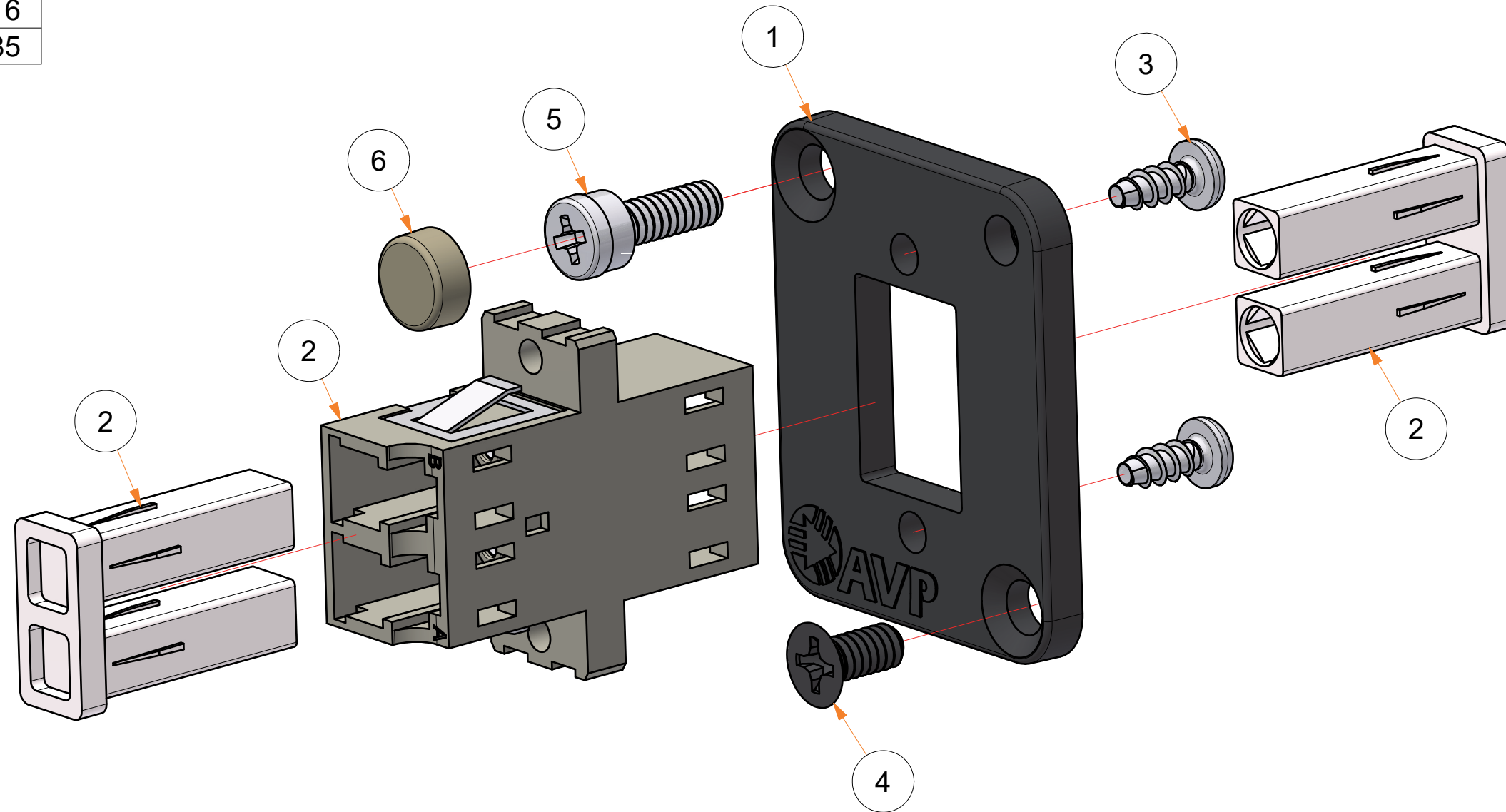


**LC Multimode Duplex OM1/2 Beige Polymer Housing
Adapter, Zirconia Sleeve, SC Footprint, Beige MIS, Adapter
Plate(s) and/or Hardware, Maxxum Series**

File Name: UMF-MMD-LC-BG-PD		P/N: 907198	
Product Family: Universal Bulkhead Panel System, Maxxum Series			
Date Drawn: 14-Sep-25	Page Number: 1 of 2	Revision: 7.0	Sheet Size: B
Drawn By: D.Brazeau	Checked By:	Approved By:	

Parts List		
ITEM	QTY	PART No.
1	1	129923
2	1	241560
3	2	126147
4	1	126180
5	1	129916
6	1	126385

UMF-MMD-LC-BG Connector Kit



Note: Parts as shown are for reference only, actual parts may vary

* In the interest of improved design and performance, AVP reserves the right to make changes in its specifications without prior notice. Although every reasonable effort has been made to insure the accuracy of the information contained, photographs and/or drawings may differ slightly from the appearance or dimension of the actual product. All trademarks, trade names, logos, product names, and company names appearing are the property of their respective owners. Not responsible for typographical or data errors. Copyright © AVP MFG & Supply Inc.

MIS Ordering Info	○ WHITE ● BEIGE ● YELLOW ● BROWN ● BLUE ● GRAY ● PURPLE ● GREEN ● RED ● AQUA ● BLACK ● ORANGE ● MAGENTA	MIS-30-COLOR } Replace "COLOR" MIS-60-COLOR } Eg: MIS-30-RED MIS-100-COLOR } to order 30 RED	MIS-30-Multi - 30 of each color MIS-60-Multi - 60 of each color MIS-100-Multi - 100 each color
----------------------------------------------	-----------------------------------------------------------------------------------------------------------------------------------	----------------------------------------------------------------------------------------------------	------------------------------------------------------------------------------------------------------



**LC Multimode Duplex OM1/2 Beige Polymer Housing
Adapter, Zirconia Sleeve, SC Footprint, Beige MIS, Adapter
Plate(s) and/or Hardware, Maxxum Series**

File Name: UMF-MMD-LC-BG-PD		P/N: 907198	
Product Family: Universal Bulkhead Panel System, Maxxum Series			
Date Drawn: 14-Sep-25	Page Number: 2 of 2	Revision: 7.0	Sheet Size: B
Drawn By: D.Brazeau	Checked By:	Approved By:	