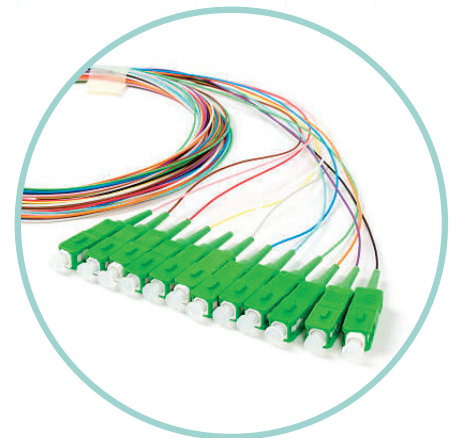
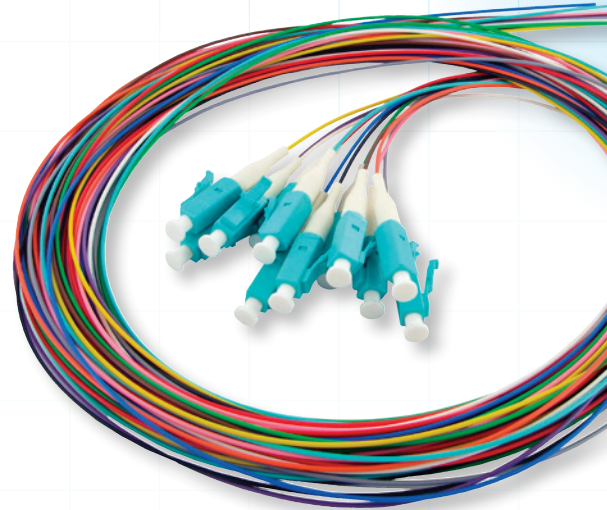


FIBRE OPTIC PIGTAILS

PIGTAILS

Fibre Systems pigtails are made for telecom, data networks, FTTx, FTTH, and other key uses. These pigtails enable flexible connections in passive equipment, patch panels, and closures. Fibre Systems provides a wide selection of single fibre ferrule connectors, precisely mounted and polished to ensure high transmission quality.

Fibre Systems pigtails are packaged using recycled plastic collected from environmental cleanup initiatives in Southeast Asia. This material is certified as potential Ocean Bound Plastic.



FEATURES

- Machine-polished connectors designed to maintain low loss performance
- Offered in multiple colours for identification purposes
- Flexible buffer that is simple to strip

Performance Specifications

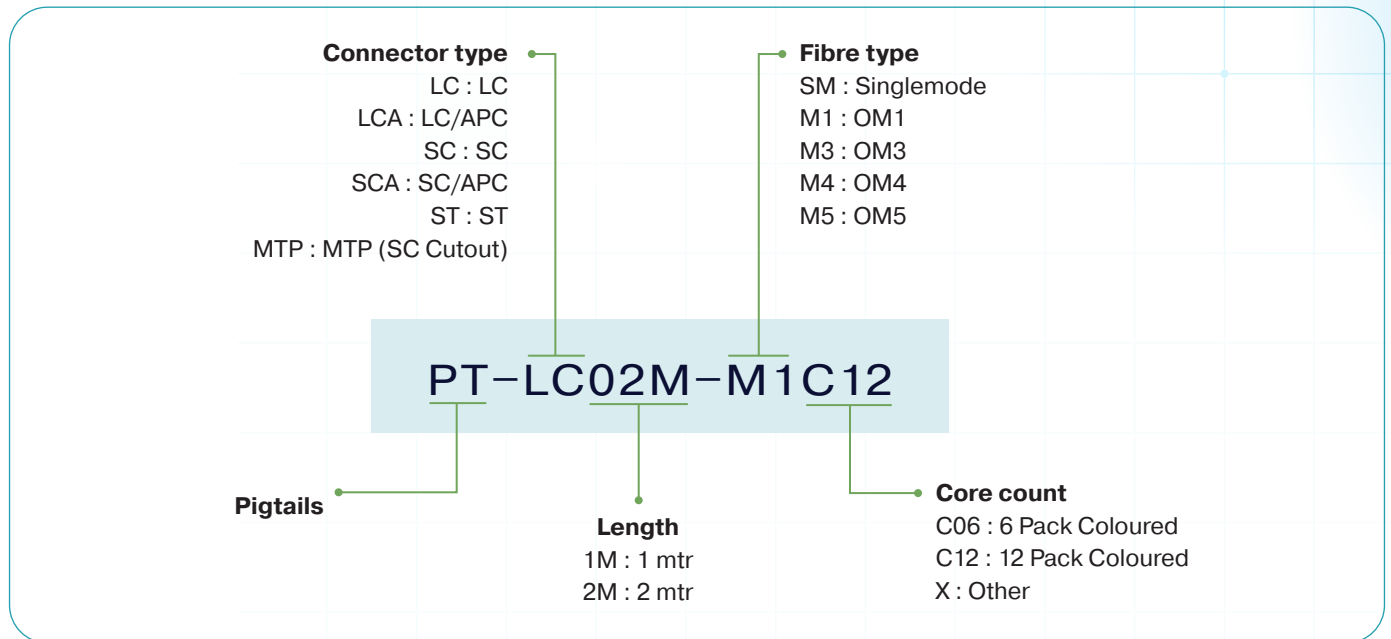
PARAMETERS	IL – MAX	IL – TYPICAL	RL (PC/APC)
SM – Standard	≤ 0.30 dB	≤ 0.20 dB	> 55/65 dB
SM – Premium	≤ 0.15 dB	≤ 0.12 dB	> 55/65 dB
MM – Standard	≤ 0.30 dB	≤ 0.18 dB	> 28 dB
MM – Premium	≤ 0.15 dB	≤ 0.08 dB	> 28 dB

Technical Specifications

CHARACTERISTICS	UNITS	SIMPLEX
Nominal buffer diameter	µm	900 +50/-50
Crush	N/100mm	500
Operating temperature	°C	-20 to 60
Maximum tensile load	N	6
Minimum bending radius	mm	15

FIBRE OPTIC PIGTAILS

Ordering Information



CONTACT:

Unit 4 / 277 Lane Cove Road, Macquarie Park, NSW 2113
Call: +61 2 8553 0600 Email: sales@fibresystems.com.au
www.fibresystems.com.au

028 Revision 01, 12.25



Fibre Systems is an Australian-owned provider of ruggedised, high-performance fibre optic cable systems.
© 2025, Fibre Systems, all rights reserved. Specifications are subject to change without notice.